

ADPT-NN-8

8-Electrode NeuroNexus Probe Adapter for MPA8I Amplifier

Connecting the MPA8I to the adapter ADPT-NN-8 and the NeuroNexus Probe

Setup with probe from NeuroNexus, adapter ADPT-NN-8 and MPA8I.

Adapter ADPT-NN-8



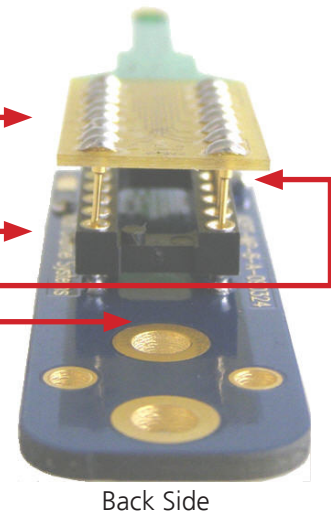
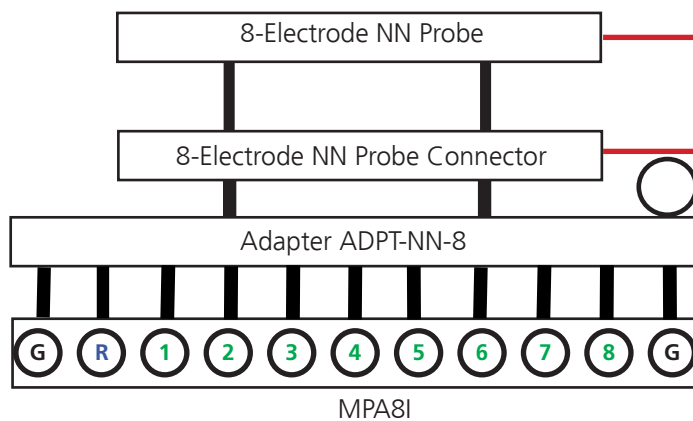
Connect MPA8I here



Important: Connect the MPA8I with the black side down. Otherwise, the device does not work.

Channel Assignment

Output pins (connected to MPA8I)



Back Side

Shown are the output pins of the adapter ADPT-NN-8 that are connected to the miniature preamplifiers MPA8I when looking from the back directly at the pins. The labeled channels are the ground channels (G), the reference channel (R), and the 8 recording channels (1 to 8) of the MPA8I. Please see the MPA8I manual for details.



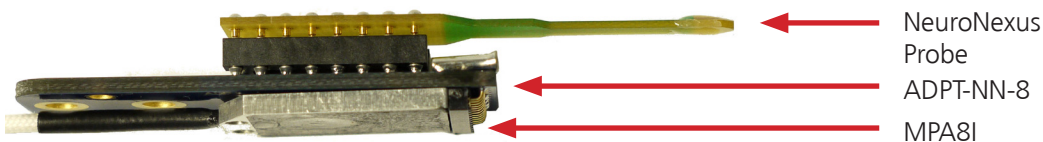
Warning: The device may only be used together with the MPA8I from Multi Channel Systems MCS GmbH and the 8-channel probe from NeuroNexus, and only for the specified purpose. Damage of the device and even fatal injuries can result from improper use.

ADPT-NN-8

8-Electrode NeuroNexus Probe Adapter for MPA8I Amplifier

Pin Layout

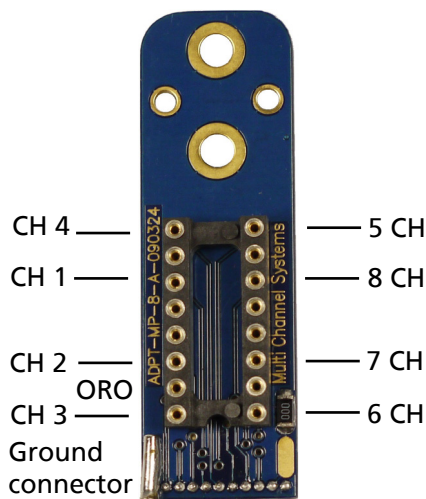
Complete setup with NeuroNexus probe, adapter ADPT-NN-8 and MPA8I



Important:
Black side of MPA8I faced down!

Important:
Operation of the MPA8I is differential. The reference channel R has to be used for obtaining a proper signal. Please see the MPA8I manual for details.

Top View without probe
Pin Layout ADPT-NN-8

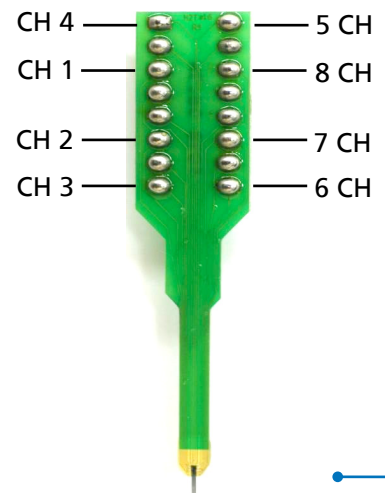


Front Side

MPA8I
Pin Layout
MPA8I Out MC_Rack Channels

GND	①	GND (shielding)
REF	②	REF (input)
CH 1	③	Channel 1
CH 2	④	Channel 2
CH 3	⑤	Channel 3
CH 4	⑥	Channel 4
CH 5	⑦	Channel 5
CH 6	⑧	Channel 6
CH 7	⑨	Channel 7
CH 8	⑩	Channel 8
GND	⑪	GND (power)

NeuroNexus Probe
Connector Pin Out



Application

On the left picture the input pins of the adapter ADPT-NN-8 are shown that are connected to the probe. On the right picture the output pins of the NeuroNexus probe are shown that are connected to the adapter. In the middle you have the pin layout of the MPA8I: The labeled channels are the ground channel (GND shielding), the reference channel (REF input), and the 8 recording channels (1 to 8) of the MPA8I. The ground channel connected to pin 11 of the MPA8I input pins is the power ground (GND power).

Please see the MPA8I manual for details. If you use MC_Rack for data acquisition, see Pin Layout above. G and R have been connected together as factory default settings to a 0 Ohm resistor (ORO).