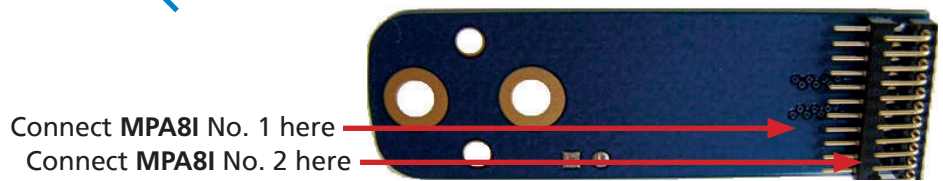


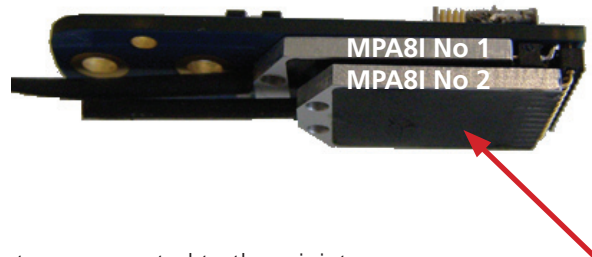
ADPT-NNCP-16 16-Electrode Chronic Probe Adapter for MPA8I Amplifiers

Connecting two MPA8Is to the
NeuroNexus Chronic Probe Adapter

Adapter ADPT-NNCP-16

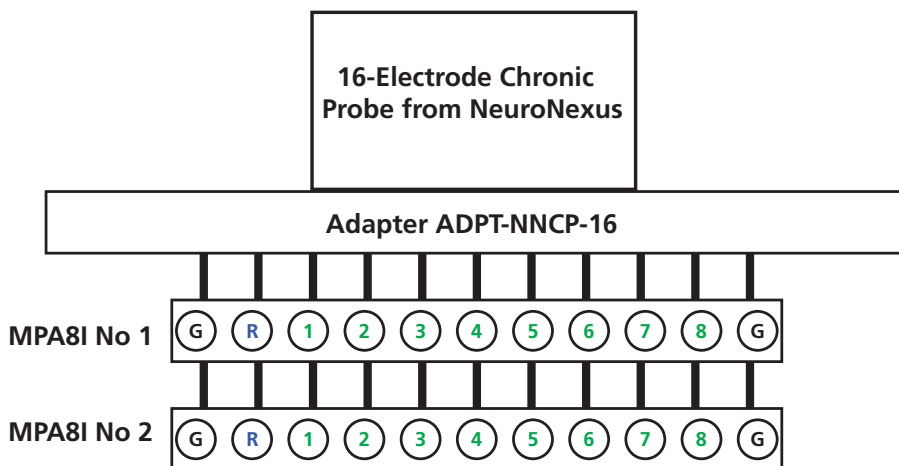


Important: Connect the MPA8Is with the black side down. Otherwise the device does not work.



Application

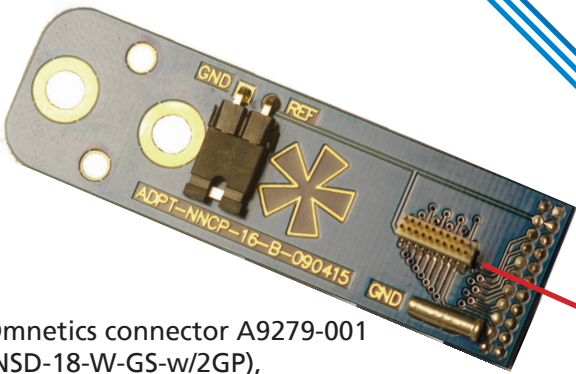
Shown are the output pins of the adapter that are connected to the miniature preamplifiers MPAI when looking directly at the pins. The labeled channels are the ground channels (G), the reference channel (R), and the 8 recording channels (1 to 8) of the MPA8I. Please see the MPA8I manual for details.



Warning: The adapter may only be used together with two MPA8Is from Multi Channel Systems MCS GmbH and the 16-electrode chronic probe from NeuroNexus, and only for the specified purpose. Damage of the device and even fatal injuries can result from improper use.

ADPT-NNCP-16 16-Electrode Chronic Probe Adapter for MPA8I Amplifiers

Connecting two MPA8Is to the
NeuroNexus Chronic Probe Adapter



Omnetics connector A9279-001
(NSD-18-W-GS-w/2GP),
male, fixed on the adapter.

Connect the Chronic Probe CP16 to the ADPT-NNCP-16

The photo shows the top of the adapter ADPT-NNCP-16 from Multi Channel Systems MCS GmbH. To plug the chronic probe from NeuroNexus Technologies CP16 into the adapter you have to turn the chronic probe upside down. Because of the guide posts, there is only one possible way to plug in the probe.

Pin Layout of MPA8I No 1 and No 2 and NeuroNexus Chronic Probe CP16

MPA8I No. 1	Pin	NNCP16	Pin	MPA8I No. 2	Pin	NNCP16
			10			
			9			
			8			
			7			
			6			
Reference	10		6	Guide post	11	
CH 01	9	SITE 8	5	CH 01	12	SITE 9
CH 02	8	SITE 7	4	CH 02	13	SITE 10
CH 03	7	SITE 6	3	CH 03	14	SITE 11
CH 04	6	SITE 5	2	CH 04	15	SITE 12
CH 05	5	SITE 4	1	CH 05	16	SITE 13
CH 06	4	SITE 3		CH 06	17	SITE 14
CH 07	3	SITE 2		CH 07	18	SITE 15
CH 08	2	SITE 1		CH 08	19	SITE 16
Ground	1			Guide post	20	