

MEA2100-CO₂-C

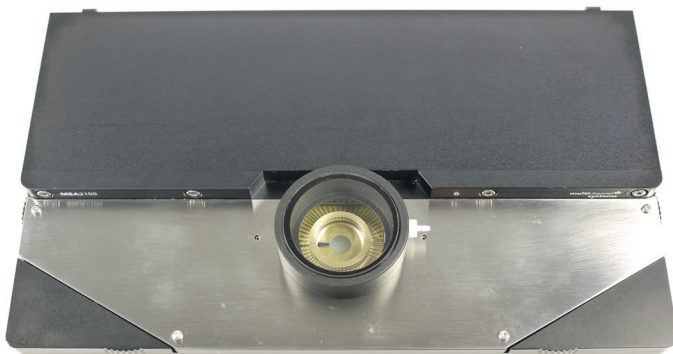
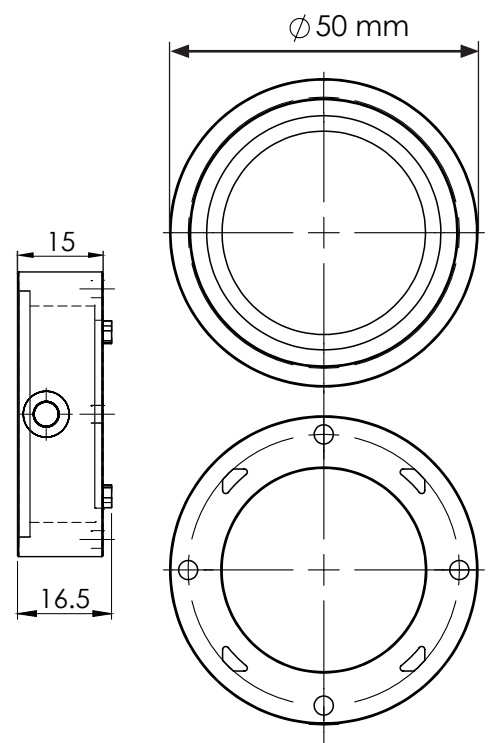
Climate Chamber for MEA2100-Systems



MEA2100-CO₂-C

Tube Connector

Climate chamber MEA2100-CO₂-C covering the MEA to create a 5 % CO₂ atmosphere (humid or non humid) around the biological probe.



The distance between the surface of the MEA inside the amplifier and the upper surface of the glass cover is 23.5 mm.

Installation

Connect the climate chamber MEA2100-CO₂-C via magnetic force on the lid of the MEA2100 headstage. If your MEA2100 headstage is not equipped with a metal plate, please contact sales@multichannelsystems.com. Connect a tube (Teflon if available, otherwise PVC) with an inner diameter of ± 2.3 mm to the tube connector.

For more information, please read the MEA-Application Note "Neuronal Cell Culture-Cultivation, Recording and Data Analysis", available on multichannelsystems.com